



# Mechlift Pro 150

# Powerful and flexible pneumatic lifter

## Easy to integrate

Mechlift Pro 150 is advantageously installed in a rail system. In its upper mounting, the lifter can be fixed or rotatable. At the bottom, there are a number of tools adapters to choose from, with or without rotation. At the tool adapter, a pneumatic gripping tool with its control units is easily integrated, which provides a smooth and ergonomic handling.

In the lower part of the pillar unit are torque-absorbing wheels, which enable load outside the lifter's vertical lift shaft.

## Many pneumatic versions

A variety of pneumatic configurations allow adaptation to widely differing handling situations. Mechlift Pro 150 is available in several standard versions: counterbalanced for 1 or 2 loads, or in a pilot control version for balancing of varying loads in combination with an external control unit.

## Standard vs. Automotive

Pneumatics configurations are available in two variants.

The standard version is the natural solution for material handling and lifting technique within the general industry.

For more demanding applications, we offer a version Automotive equipped with additional security functionality.

## Reliable and easy to service

Mechlift Pro 150 fits well in demanding environments where high reliability and performance is required, such as in assembly processes in the automotive industry. The pillar unit consists of telescoping aluminium profiles that are anodized and thereby completely maintenance free, and other parts are easily accessible for maintenance and inspection.

## Suitable for many applications

Pneumatic Mechlift Pro 150 is a lifter that is suitable for many types of handling solutions.

Typical application areas for pneumatic Mechlift Pro are handling of cable rolls, mat rolls, tanks, doors, windows, and various types of automotive parts such as vehicle doors, sunroofs, seats, windshields, hoods, etc.

”

Mechlift Pro 150 fits well in demanding environments where high reliability and performance is required, such as in assembly processes in the automotive industry.

”



# Mechlift Pro 150

## Balanced 2-weight

Handling of one balanced load; with an external actuator the operator selects "Load" or "Without load".

## Balanced 3-weight

Handling of two balanced loads; with external actuator the operator selects "Load 1", "Load 2", or "Without load".

## Pilot control (various loads)

A precise and smooth handling of various loads using an external control unit.

## Slow speed function

All pneumatic configurations can be equipped with a slow speed function for a controlled lowering motion. Functional conditions are configured by the customer, and depend on the specific application.

## Automotive (AM)

The load is switched by a bistable valve, i.e. load alternation is done by impulse signals.

For other pneumatic configurations, contact Movomech.



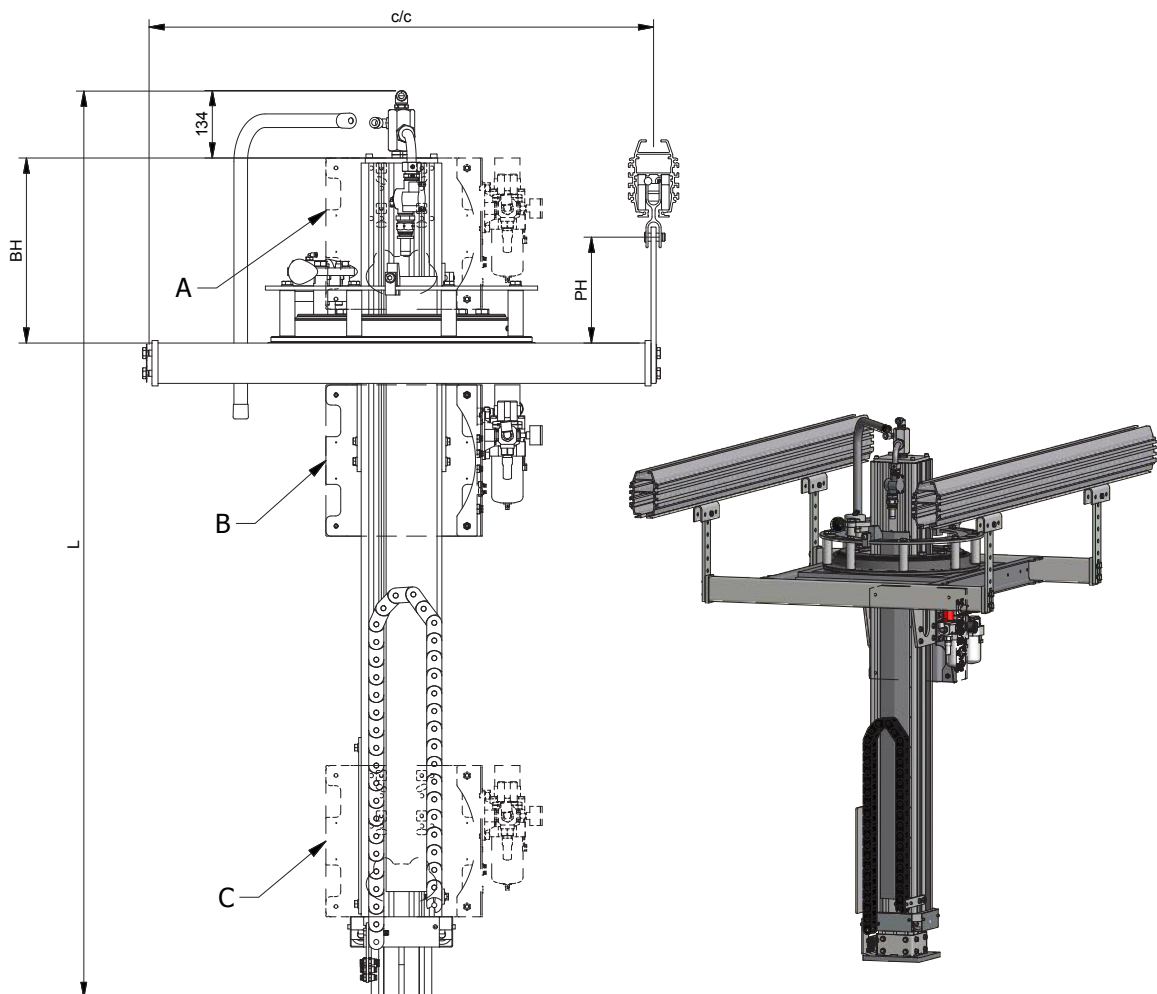
## Technical specification Mechlift Pro 150

Technical data	Mechlift Pro 150	Technical data	Mechlift Pro 150
Max load	150 kg	Lifting speed	0-20 m/min
Max torque	1000 Nm	Rotation <sup>2</sup>	0-310° (360°)
Stroke SL	500-1500 mm	Media <sup>3</sup>	Air, non-lubricated, 40 µm
Length	SL+800 mm	Air consumption	46,2 l <sub>n</sub> /m <sub>SL</sub> (at 6 bar)
Tare weight <sup>1</sup>	98-189 kg	Work pressure	5,5-7 bar
Noice level	<70 dB (A)	Work temperature	5-40 °C (indoor use)
Suspension height PH	50-490 mm		

<sup>1</sup> Depends on configuration

<sup>2</sup> 360° by removal of rotation stops

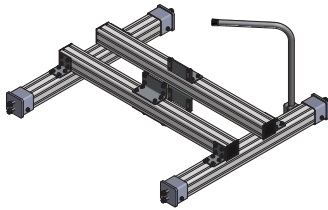
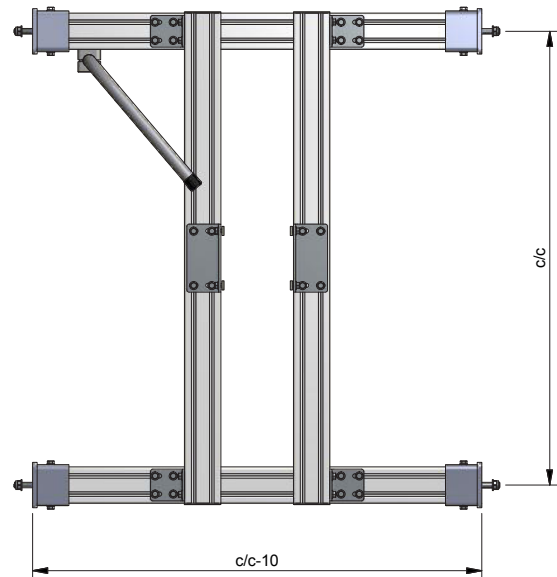
<sup>3</sup> To Mechlift Pro: 0,3 µm: FRL unit is included



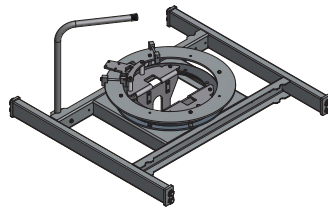
1 + 2 + 3 + 4 + 5 + (6) + PH + BH + A/B/C : Mechlift Pro 150 specification

## 1. Cross units

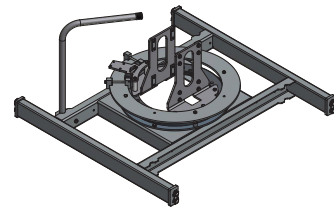
Article	kg	#
Profile cross unit c/c 1000	29	741808
Steel cross unit, up c/c 1000	65	742368
Steel cross unit, down c/c 1000	65	742367



741808



742368



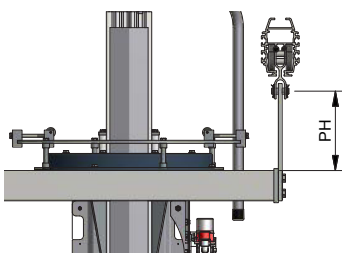
742367

## 2. Suspensions

Article	Height PH (mm)	Quantity	kg	c/c	#	#
Suspension PH 50	50	4	0,6	-	733835	733837
Suspension PH 90-210*	90-130-170-210	4	1,1	-	740940	740941
Suspension 4x PH 250-370*	250-290-330-370	1	<11	1000	740943	740945
Suspension 4x PH 410-490*	410-450-490	1	<13	1000	740947	740949

Ø (mm) 16,5 20,5  
Fits trolley AHB1.1/2 AHB3

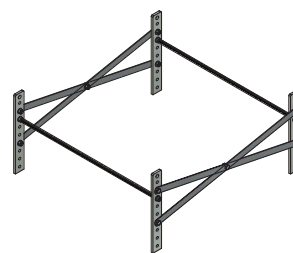
\* Cut to selected suspension height PH.



733835/37



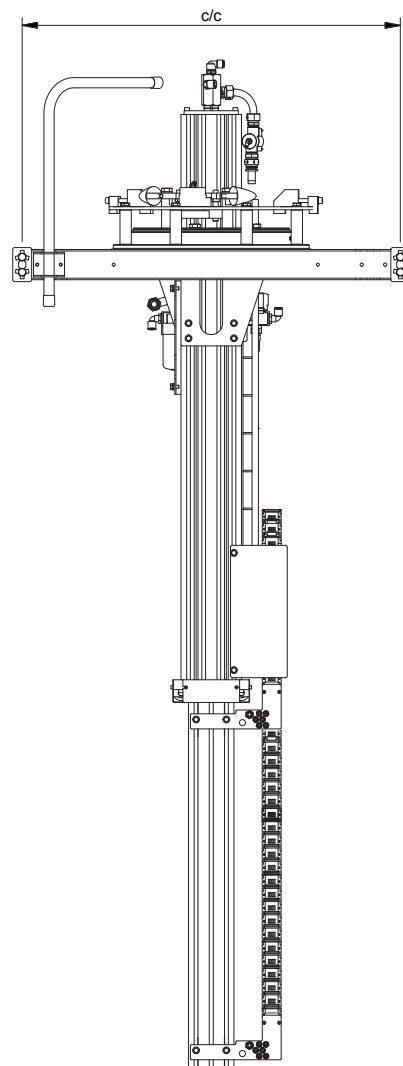
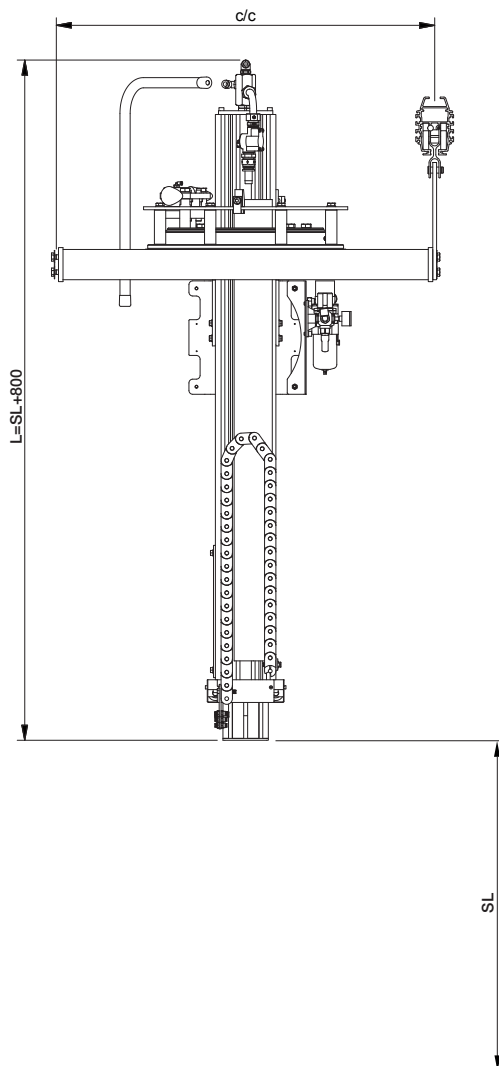
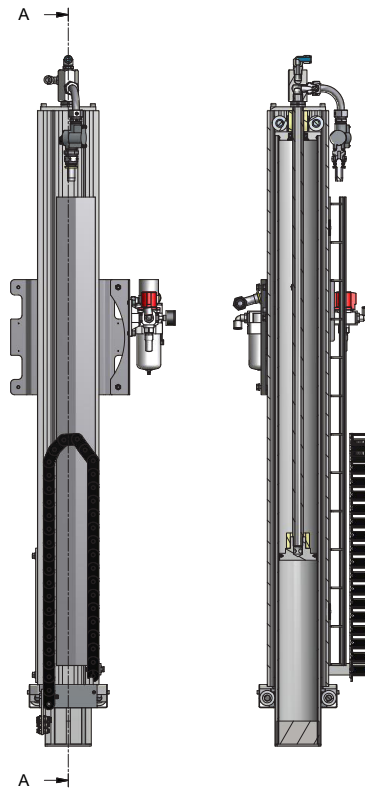
740940/41

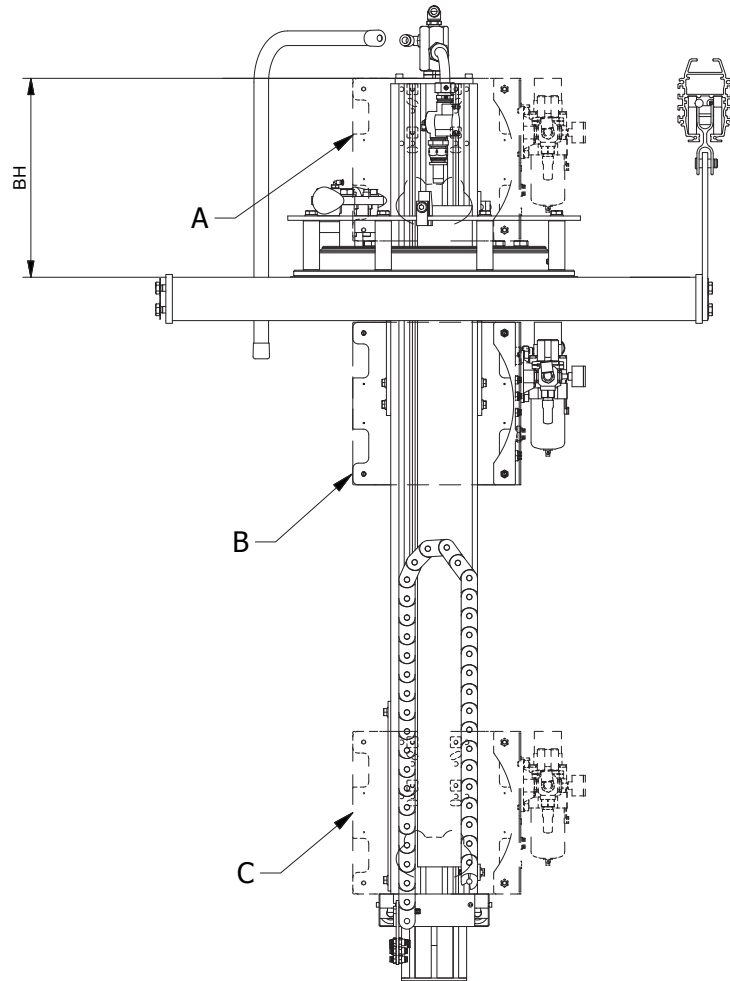


740943/45/47/49

### 3. Pillar units

Article	kg	#
Pillar unit SL=500	57	741811
Pillar unit SL=750	64	741812
Pillar unit SL=1000	71	741813
Pillar unit SL=1250	78	741814
Pillar unit SL=1500	85	741815
Pillar unit SL=500-1500	<85	741816





→ Note that the build height BH is indicated from the upper profile end to the top edge of the cross unit, regardless of version.

Build height BH	SL	500	750	1000	1250	1500
<b>Cabinet on top (position A)</b>						
Profile unit	mm	396 - 875	396 - 1125	396 - 1375	396 - 1625	396 - 1875
Steel unit, up	mm	479 - 600	479 - 725	479 - 850	479 - 975	479 - 1100
Steel unit, down	mm	479 - 600	479 - 725	479 - 850	479 - 975	479 - 1100
<b>Cabinet below cross unit (position B)</b>						
Profile unit	mm	165 - 800 (480*)	165 - 1050 (605*)	165 - 1300 (730*)	165 - 1550 (855*)	165 - 1800 (980*)
Steel unit, up	mm	367 - 600 (480*)	367 - 725 (545*)	367 - 850 (605*)	367 - 975 (670*)	367 - 1100 (730*)
Steel unit, down	mm	58 - 600 (325*)	58 - 725 (390*)	58 - 850 (450*)	58 - 975 (515*)	58 - 1100 (575*)
<b>Cabinet at bottom (position C)</b>						
Profile unit	mm	165 - 625	165 - 875	165 - 1125	165 - 1375	165 - 1625
Steel unit, up	mm	367 - 600	367 - 725	367 - 850	367 - 975	367 - 1100
Steel unit, down	mm	58 - 600	58 - 725	58 - 850	58 - 975	58 - 1100

\* Position and build height BH unless otherwise specified when ordering.

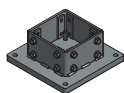
# Mechlift Pro 150

## 4. Pneumatic configurations

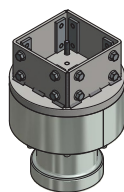
Article	kg	#
2-weight	4,7	741370
2-weight AM	4,8	741371
2-weight slow speed	4,8	741372
2-weight AM slow speed	4,9	741373
3-weight	5,7	741374
3-weight AM	5,9	741375
3-weight slow speed	5,8	741376
3-weight AM slow speed	6,0	741377
Pilot control	3,0	741378
Pilot control slow speed	3,1	741379

## 5. Tool adapters

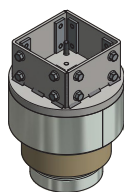
Article	kg	#
Tool adapter	6,0	731501
Rotation unit	11,5	739852
Rotation unit with brake	14,5	739853



731501



739852



739853

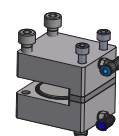
## 6. Options

Article	kg	#
Stroke limiter	<1,4	741817
Rotation brake	4,0	742708
Manual pressure release kit <sup>1</sup>	-	741843

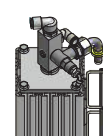
<sup>1</sup> Facilitates venting prior to maintenance work.



741817



742708



741843

For more information,  
contact your sales representative.

MOVOMECH AB  
Kabelvägen 9  
S-291 09 Kristianstad, Sweden  
Telephone: +46 (0)44 - 28 29 00  
Fax: +46 (0)44 - 28 29 28  
E-mail: info@movomech.se  
Web: www.movomech.se

