



Mechlight Pro 50

Functional lightweight lifter

Easy and smooth handling

Mechlight Pro is an ergonomic and functional lightweight lifter for loads up to 50 kg. The lifter allows free rotation around its lift axle = a great advantage for assembly work where else hoses and accessories may risk being damaged!

Easy to integrate

Mechlight Pro is advantageously installed in a rail system or onto a pillar or wall mounted jib crane. At the tool adapter, a pneumatic gripper tool and its control units can be easily integrated. Even a simple mechanical tool provides an easy and ergonomic handling.

Several pneumatics versions

Each material handling situation requires its own pneumatics solution. Mechlight Pro is available in several pneumatics versions: equilibrated for 1 or 2 loads, or in a balanced version for balancing a range of varying loads.

Standard vs. Automotive

Mechlight Pro is available in two versions: Standard and Automotive.

Mechlight Pro in standard version is the natural solution for material handling and general lifting in the traditional industry.

For more demanding environments where reliability and performance beyond the normal required, such as in assembly processes in the automotive industry, we offer a variant Automotive equipped with added safety features.

Many applications

Typical applications for Mechlight Pro is for example handling of components in the manufacturing industry, light vehicle parts assembly work or picking from conveyors and roller conveyors.

”

The lifter allows free rotation around its lift axle = a great advantage for assembly work where else hoses and accessories may risk being damaged!

”

Mechlight Pro 50

Balanced 2-weight

Handling of one balanced load; with an external actuator the operator selects "Load" or "Without load".

Balanced 3-weight

Handling of two balanced loads; with external actuator the operator selects "Load 1", "Load 2", or "Without load".

Balanced (various loads)

A precise and smooth handling of various loads using a balancing regulator integrated in the gripper tool.

Slow speed function

The 2-weight and 3-weight pneumatic versions can be equipped with a slow speed function for a controlled lowering motion. Functional conditions are configured by the customer, and depend on the specific application.

Automotive

The Automotive version is equipped with a supplementary second safety device, as well as an evacuation valve which enables a manual evacuation of the pressure in the cylinder if the air supply is lost.

For other pneumatic configurations, contact Movomech.

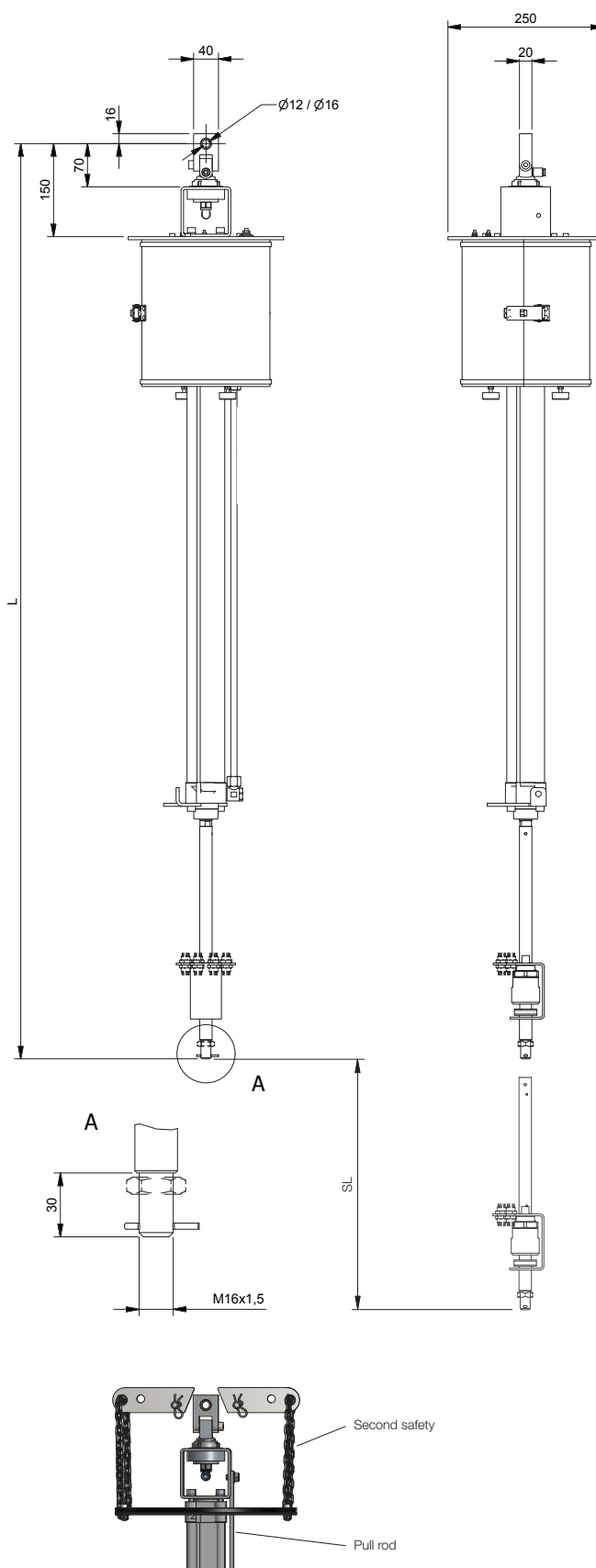
Technical specification Mechlight Pro 50

Technical data	Mechlight Pro 50
Max load ¹	50 kg (at 5 bar)
Max torque	0 Nm
Stroke SL	400-1200 mm
Length	SL+669 mm
Max tare weight ²	23 (27) kg
Noise level	<70 dB (A)
Lifting speed	0-40 m/min
Rotation	0-360° (unlimited)
Media ³	Air, non-lubricated, 40 µm
Air consumption	9,8 l _n /m _{SL} (at 5 bar)
Work pressure	4,5-6 bar
Work temperature	5-40 °C (indoor use)

¹ Pneumatic version "Balanced": 40 kg

² Version Standard (Automotive)

³ For Mechlight Pro: 0,3 µm: FRL-unit included



Version Automotive

Mechlight Pro 50

Article numbers
Mechlight Pro 50

1. Base models

Stroke 400 mm	739500
Stroke 600 mm	739501
Stroke 800 mm	739502
Stroke 1000 mm	739503
Stroke 1200 mm	739504
Stroke 400-1200 mm	739505

Stroke 400 mm Automotive	740580
Stroke 600 mm Automotive	740581
Stroke 800 mm Automotive	740582
Stroke 1000 mm Automotive	740583
Stroke 1200 mm Automotive	740584
Stroke 400-1200 mm Automotive	740585

2. Pneumatic configurations *

2-weight	739561
2-weight with slow speed function	740591
3-weight	739562
3-weight with slow speed function	740592
Balanced	739563

3. Option

Stroke limiter	739518
----------------	--------

1 + 2 + (3) : Mechlight Pro 50 specification

* Air preparation unit (FRL) is included



Mechlight Pro facilitates repetitive lifting.



Free rotation offers great advantages in complex assembly operations.

For more information,
contact your sales representative.

MOVOMECH AB
Kabelvägen 9
S-291 09 Kristianstad, Sweden
Telephone: +46 (0)44 - 28 29 00
Fax: +46 (0)44 - 28 29 28
E-mail: info@movomech.se
Web: www.movomech.com

”
Mechlight Pro 50
is an ergonomic
and functional
lightweight lifter for
loads up to 50 kg.
”

