



LIFT-O-FLEX®

Charlotte, NC

Product Specification - 20300 Series Ergonomic Lifter



Powder Coated Paint Version Shown

The LIFT-O-FLEX® 20300 Series Ergonomic Lifter offers dynamic load handling characteristics for mid-weight load capacities. The 20300 Series has a lift capacity of 200-lbs (90Kg) and provides for improved and expanded flexibility in equipment selection to better fill your ergonomic lifting requirements. This is accomplished using either standard or custom designed end-effectors.

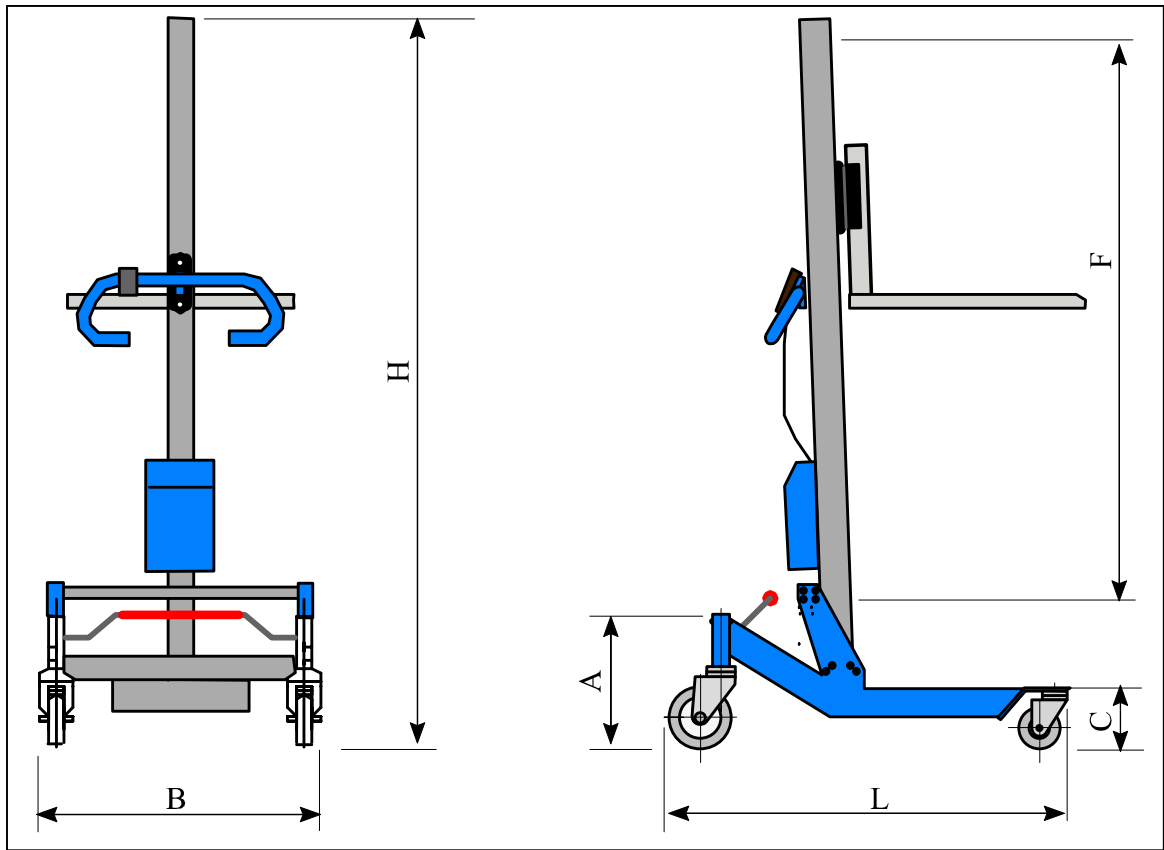
The 20300 series lifter is designed for ease of assembly and interchangeability of components. This allows for future modifications by the customer to satisfy tomorrow's ever-changing requirements. Future adaptability to meet your needs without incurring the cost of complete replacement.

Each lifter is comprised of modules for easy assembly. The legs mount to the intermediate sections with 8 bolts each side. Improved mast stiffening is offered with the placement of the upper intermediate section along with the mast-mounting bracket. Casters are mounted to the front and a single swivel caster at the rear. A foot operated rear central braking system is used on the lifter. The three (3) position braking system is used to enhance safety and lifter workability. (Rear legs locked in trailing position for easy transport-independent swivel for maneuvering and locked for stationary positioning).

The intermediate section is provided with a lift motor for powering the mast slide for easy and safe movement of the end-effector. The mast is totally enclosed and is provided with a ball screw for smooth up and down DC powered movement. Lift speed has been increased ~20% over previous models. A slip clutch on the down movement provides for safe load handling.

The electronic power pack can be provided with either standard or heavy-duty batteries depending on application usage. Power packs are also exchangeable allowing for multi-shift operation. Current limiting (no limit switches) provide for load limiting and stops. The handlebar is adjustable by the operators to achieve ergonomic operation. This along with the detachable remote controller provides the operator with control over load handling functions.

Contact RonI, Inc or your local dealer for application specific information. Custom applications are available.



NOTE: Custom Lift-O-Flex® solutions can be designed specifically for your application

Lift-O-Flex® 20300Series Dimensions

H. Masts		F. Lift Stroke	
Std.	68" (1732 mm)	46.9"	(1192 mm)
Long	78" (1982 mm)	58.2"	(1442 mm)
X-Long	87.7" (2232 mm)	66.6"	(1692 mm)
L. Legs (Standard)		(Low Profile)	
Standard	35.5" (903 mm)	34.6"	(881 mm)
Long	43.5" (1103 mm)	42.5"	(1081 mm)
Custom Lengths Available			
B. Width: (Outside)			
Standard	21.8" (554 mm)		
Wide	38" (964 mm)		
Custom Widths Available			
A. Rear Wheel Height		12.5"- [6" (150 mm) Ø Wheels]	
		10.6"- [4" (100 mm) Ø Wheels]	
C. Top Of Leg Height		3.62" (92 mm) - Small Wheels	
		5.66" (144 mm) - Large Wheels	

Lift-O-Flex® 20300 Series Specifications

Lift Capacity	200Lbs. (90 Kg)
Weight	82Lbs. (37 Kg) (Without End-Effector)
Battery Type	Lead Gel Cell
Battery Capacity	18V, 6.5 or 13 AH
Battery Charger Output	18V, 1-3 Amp
Charge Time	6-8 Hours
Lift Speed	Slow: 2.84" (71 mm)/Sec.
	Fast: 3.84" (97 mm)/Sec. (Standard)
Noise Level	> 70dB(A)
Front Wheel:	Low Profile-2 ¼" (60 mm) Diameter (Dual swivel)
	Std Profile-4" (100 mm) Diameter (Single Swivel)
Rear Wheel	Low Profile-4" (100 mm) Diameter (Single Swivel)
	Std Profile-6" (150 mm) Diameter (Single Swivel)
Wheel Material	Polyurethane/Rubber
Finish Types:	Std.-Powder Coated Paint
	Optional-Stainless Steel/Anodized

Rev 11/7/05