

LIFT-O-FLEX®

By

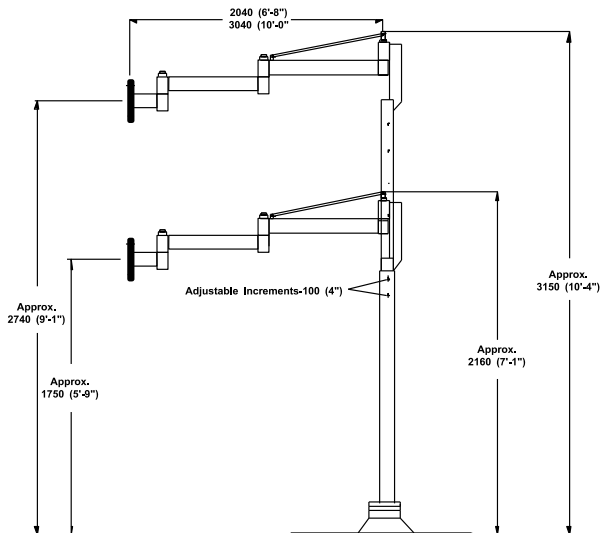
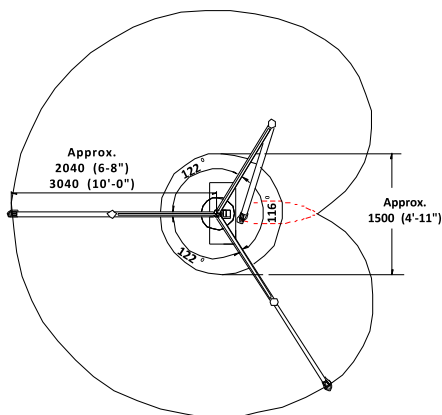
RonI

Mobi-Lift™



Versatility and Portability

MobiCrane™ and Lift-O-Flex® married to provide a wide array of end-effectors and manipulators. An articulating arm along with a lift mast is provided for product handling. The Mobi-Lift™ achieves its mobility with the use of a pallet jack allowing the Mobi-Lift™ to be placed where it is most useful. The Articulating arm is available in 3m (10'), 2.5m (8'-2") and 2m (6'-8") lengths with a tower adjustment of 7'-1" to 10'-4" in 4" increments. Lift mast comes in a variety of lengths to fit the application. Power for the lift mast, end-effectors or manipulators can be provided with either an Electronic Power Pack or through an AC/DC Converter.



Contact RonI, Inc or your local dealer for application specific information. Custom Applications are available

Document Number 90038



Expand-O-Turn®
Electric Expand/Retract
Manual Rotate
Roll Handling



Vacuum Attachment
Electric Rotator
Plant Air for Vacuum
Electronic Handling



Rotated Vacuum Attachment



Expand-O-Turn®
Air Actuated w/Anti-Telescopic
Device-Manual Rotate
Roll Handling



Drum Handling



Optional: Stabilizer Castor