

MobiCrane® – Series PV (Pneumatic Vacuum)

Technical Data:

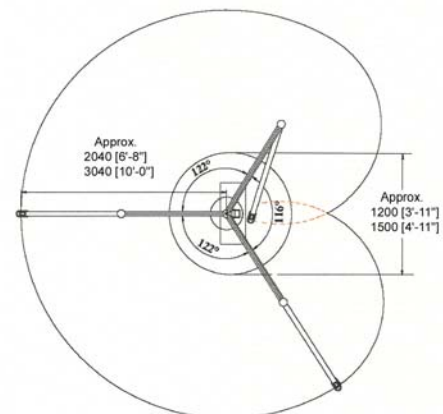
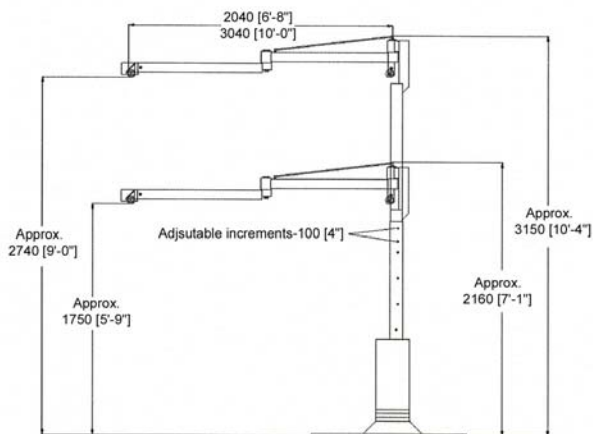
Maximum load arm capacity with gripper weight of up to 10-lbs

- ❖ **Series PV-110-lbs** 6'-8" Arm-Small Base
- ❖ **Series PVX-110-lbs** 10'-0" Arm-Large Base
- ❖ **Series PVX-175-lbs** 6'-8" Arm-Large Base
- ❖ Adjustable telescopic column-Selectable heights between 5'-9" and 9'-0" in ~4" increments
- ❖ MobiCrane Height~7'-1" through ~10'-4"
- ❖ Swing arm ball bearings
- ❖ Base plate constructed for either pallet jack or lift truck mobility
- ❖ Adjustable speed control for Up/Down movement
- ❖ Noise Level ~64 dB(A)
- ❖ Approximate Weight excluding gripper
 - Small Base ~725 lbs
 - Large Base ~1,060 lbs

Features:

- ❖ Ready for use
- ❖ No installation work required
- ❖ Indoor usage (recommended)
- ❖ Used with a variety of high capacity vacuum gripper tools
- ❖ Vacuum operated by compressed air connection-90 PSI @ 24-35 CFM
Clean and dry regulated air
- ❖ Vacuum safety features including VMS Vacuum Monitoring System and AVSG-Accidental Vacuum Shut-off Guard
- ❖ On-board battery or 110V/AC powered
- ❖ Electric motor lift operation
- ❖ Quiet operation
- ❖ Adjustable lift/lowering speed
- ❖ Grippers modified for customer specific load handling

Place It-Use It-Move It





Square Cup Gripper



**4 Rectangular Cup Grippers
on 2 Sliding Bars**



**2 Rectangular Cup Grippers
on Sliding Bar**



Oval Cup Gripper



Off Set Round Gripper



Round Cup Gripper



4 Round Cup Grippers



**4 Rectangular Cup Grippers
on Sliding Bar**

Additional End Effector Options:

- ❖ Rotate Loads 45°, 90° and 180°
- ❖ Adjustable/Fixed Handles w/Controls
- ❖ Custom Design
- ❖ Custom Built
- ❖ Etc.

Consult RonI for Custom Applications